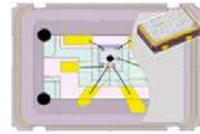


ACT9200 HCMOS/TTL Surface Mount SPXO



- Stability: $\pm 10\text{ppm} \sim \pm 100\text{ppm}$
- Supply Voltage: 3.3V, 5.5V
- Tristate: Enable high option available,
- Construction: Seam sealed ceramic 4 pad with grounded lid.



Characteristics

Frequency Range (MHz)	1 ~ 200 (3.3V), 1 ~ 40 (5.0V)
Supply voltage $\pm 5\%$ Vcc (V _{DC})	3.3, 5.0
Operating Current mA max	Table 1
Operating temperature Top (°C)	Table 2
Stability all causes*	Table 2
Aging @25°C (ppm)	± 5 (± 3 option)
Load $\pm 10\%$	10TTL/15pF HCMOS (30pF option)
Output voltage	VOH 2.4V min -TTL, 90%Vcc min-HCMOS VOL 0.4V max - TTL, 10%Vcc max- HCMOS
Duty Cycle	45/55%
Start up time	10ms max
Rise/fall times ns (max)	10 -1~34.9MHz, 5 - 35~99.9MHz, 2.5-100~200MHz
Period Jitter	Table 3
Phase Noise	Fig 1

Rating

Storage temperature (°C)	-55 ~ 125
MSL	1 unlimited
ESD	Take appropriate precautions

Notes:

*Stability all causes : Tolerance+Stability over temperature+Aging+Load+Vcc

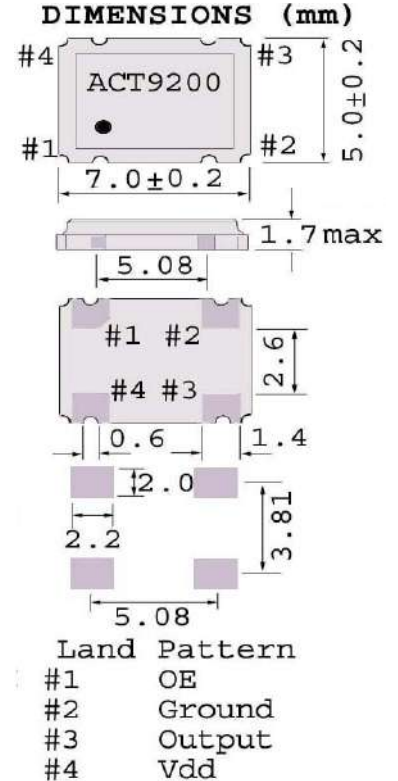


Table 2 Available Stabilities (all causes in ppm)

	± 15	± 20	± 25	± 30	± 50	± 100
0~50 °C	✓	✓	✓	✓	✓	✓
0~60 °C	✓	✓	✓	✓	✓	✓
-10~60 °C	✓	✓	✓	✓	✓	✓
0~70 °C		✓	✓	✓	✓	✓
-10~70 °C		✓	✓	✓	✓	✓
-20~70 °C		✓	✓	✓	✓	✓
-40~85 °C			✓	✓	✓	✓

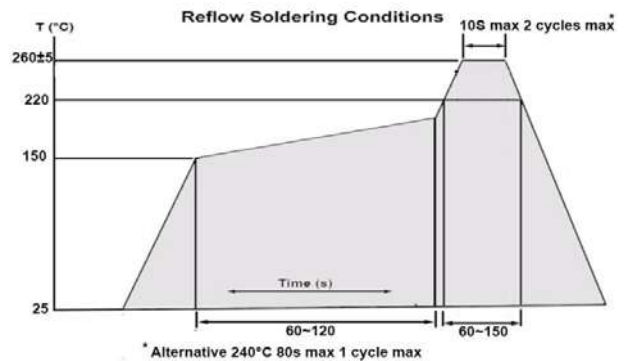
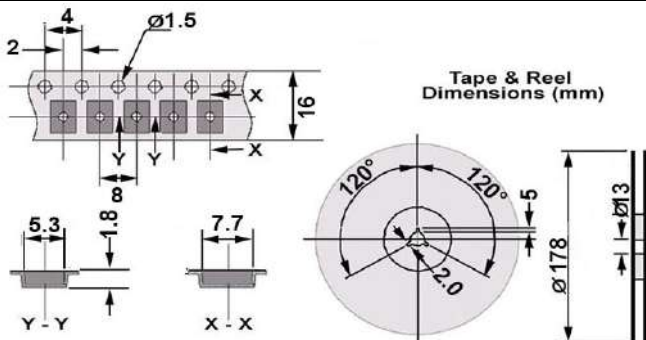


Table 1: I_{OP} max

1~34.999MHz	16 mA
35~60MHz	25 mA
60.001~99.999MHz	40 mA
100~155MHz	50 mA
155.01~200MHz	60 mA

Please note that all parameters can not necessarily be specified in the same device.
 To specify: Please refer to part numbering system appended to the end of this data
ISO9001 Registered

For quotations or further information please contact us at:
 3 The Business Centre, Molly Millars Lane, Wokingham, Berkshire, RG41 2EY
 Issue No. 12 Skr Date:

ACT9200 HCMOS/TTL Surface Mount SPXO

Table 3 Jitter	RMS (1sigma)		Absolute (pk-pk)	
	Mean	Max	Mean	Max
1MHz		25ps		100ps
25MHz	6.3ps	10ps	17.8ps	28ps
33MHz	5.2ps	10ps	14.7ps	28ps
60MHz	3.7ps	5ps	10.5ps	14ps
100MHz	1ps	3ps	2.8ps	8.4ps

Test Circuits

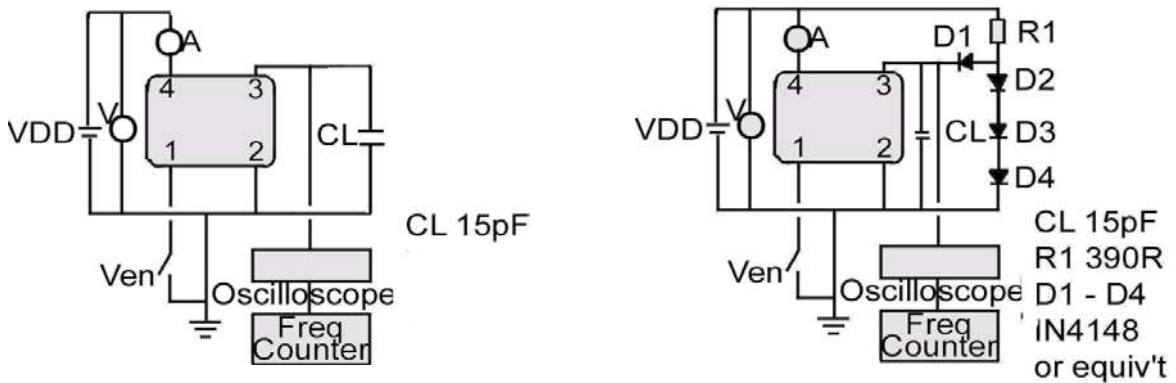
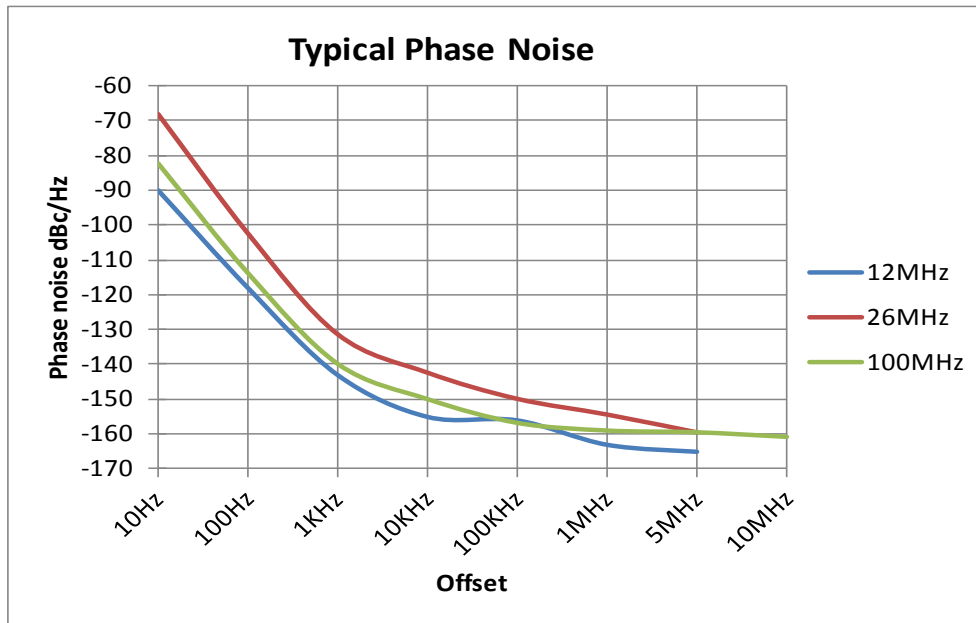


Fig 1



ACT9200 HCMOS/TTL Surface Mount SPXO

OCILLATOR PART NUMBERING

RV	2700	D	B	D	H	E	P	C	-PF
9200	27.00MHz	±15 ppm	3.3 V _{DC}	0-50 °C	45/55 %/%	HCMOS	Tristate	45/55	RoHS

9200	RV
------	----

Stability v All cause ±ppm	
15	D
20	I
25	C
30	H
50	B
100	A

T _{OP} °C	
0-50	D
-10+60	F
0-70	E
-10+70	C
-20+70	B
-30+80	G
-40+85	I

Output	
HCMOS	E
HCMOS 30pF	Q
Universal TTL/HCMOS	J
TTL	H

Tristate	
Tristate	P
None	N

Commodity code

Frequency <1.8 or >67MHz
 854370 90 99

Frequency between 1.8 and 67 MHz
 854370 90 45

 Standard

V _{CC}	V _{DC}
3.3	B
5	A

Duty Cycle % / %	
45/55	H

Tape & Reel	
1K Reel	C
Loose	L

Frequency:

For part numbering use the first 4 characters of the frequency in Hz ie 27MHz = 27000000Hz so the code used in the part number is 2700. If the frequency is 100MHz or higher then the first 5 characters are used. It is important to suffix the part number generated above with the actual frequency to give the full part number as illustrated below.

RV-2700DBDHEPC-PF 27.00MHz